

Assembly Instructions: 8209-SF (Ellyn)

IMPORTANT:

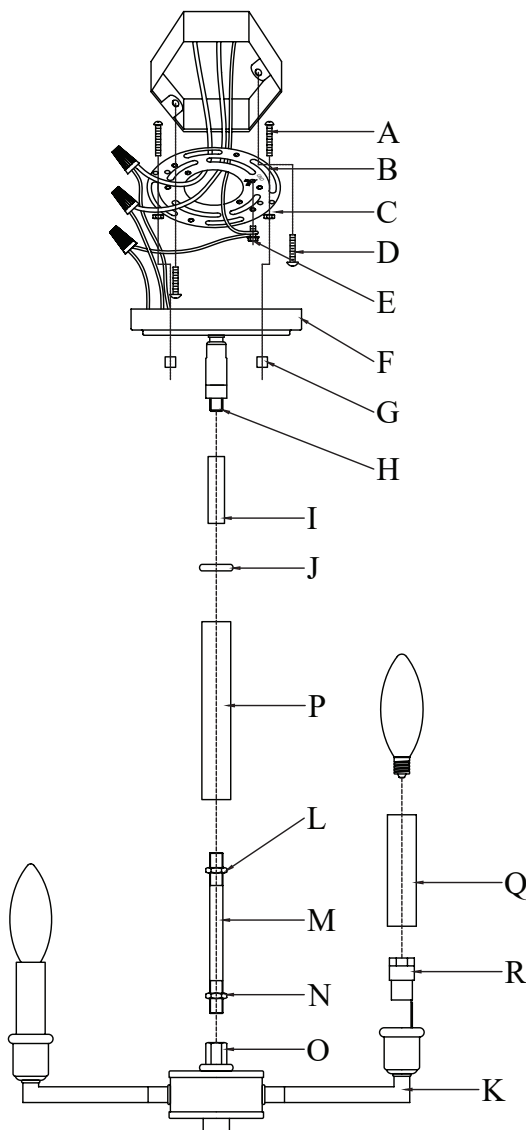
- ALL INSTALLATION WORK SHOULD BE DONE BY ACCREDITED PROFESSIONAL.
- SHUT OFF POWER SUPPLY AT FUSE OR CIRCUIT BREAKER!
- USE ONLY THE SPECIFIED BULBS. DO NOT EXCEED THE MAXIMUM WATTAGE!

For Customer Service, please contact the place of purchase.

PREPARING FOR INSTALLATION

Remove all of the contents from the carton. See the important notes above. Shut off the power at the circuit breaker and completely remove the old fixture from the ceiling, including the old mounting strap.

1. Mounting strap (B) contains several pairs of threaded holes and two of mounting screws (A). You may need to tighten hex nuts (C) that hold the screws in place.
2. Place mounting strap (B) up to your junction box. Place canopy (F) over the mounting strap lining up mounting screws (A) with the holes in canopy (F). Secure mounting strap (B) to the junction box with mounting screws (D) and a screwdriver. Tighten the screws securely.



CONNECTING THE WIRES

3. Have an assistant support the weight of the fixture. Refer to the wiring diagram and attach the fixture's wires to the power supply wires from the junction box. Connect Hot to Hot, Neutral to Neutral, and Ground to Ground. Twist the ends of the wire pairs together, and then twist on a wire connector. Make sure all twists are in the same direction. If there is no house ground wire coming from the junction box, locate ground screw (E) on the mounting bracket/mounting strap and wrap the fixture's ground wire around the ground screw. Use a screwdriver to tighten the top of ground screw (E) onto the wires and into the mounting bracket/mounting strap. Tuck the wires into the junction box.

How to Identify the Fixture's Wires		
Hot	Neutral	Ground
Smooth	Ribbed	Bare Metal, Green, or Green Inner Thread
Black	White	
Black Inner Thread	White Inner Thread	

FINISHING THE INSTALLATION

4. Push canopy (F) up to mounting strap (B) so that mounting screws (A) protrude through the holes in canopy (F). Tightly thread nuts (H) onto the exposed threads of mounting screws (A).
5. Slide candle sleeves (Q) over sockets (R).
6. Install light bulbs (not provided) in accordance with the fixture's specifications. Do not exceed the maximum recommended wattage.

Your installation is complete. Turn on the power and test the fixture.

CLEANING TIPS

Treat the fixture gently! Regular cleaning will reduce the need for deep cleaning. For regular cleaning, turn off the light and wipe down the fixture with a clean lint-free cotton or microfiber cloth. Never spray cleaner directly onto the fixture.

Assembly Instructions: 8209-4 (Ellyn)

IMPORTANT:

- ALL INSTALLATION WORK SHOULD BE DONE BY ACCREDITED PROFESSIONAL.
- SHUT OFF POWER SUPPLY AT FUSE OR CIRCUIT BREAKER!
- USE ONLY THE SPECIFIED BULBS. DO NOT EXCEED THE MAXIMUM WATTAGE!

For Customer Service, please contact the place of purchase.

PREPARING FOR INSTALLATION

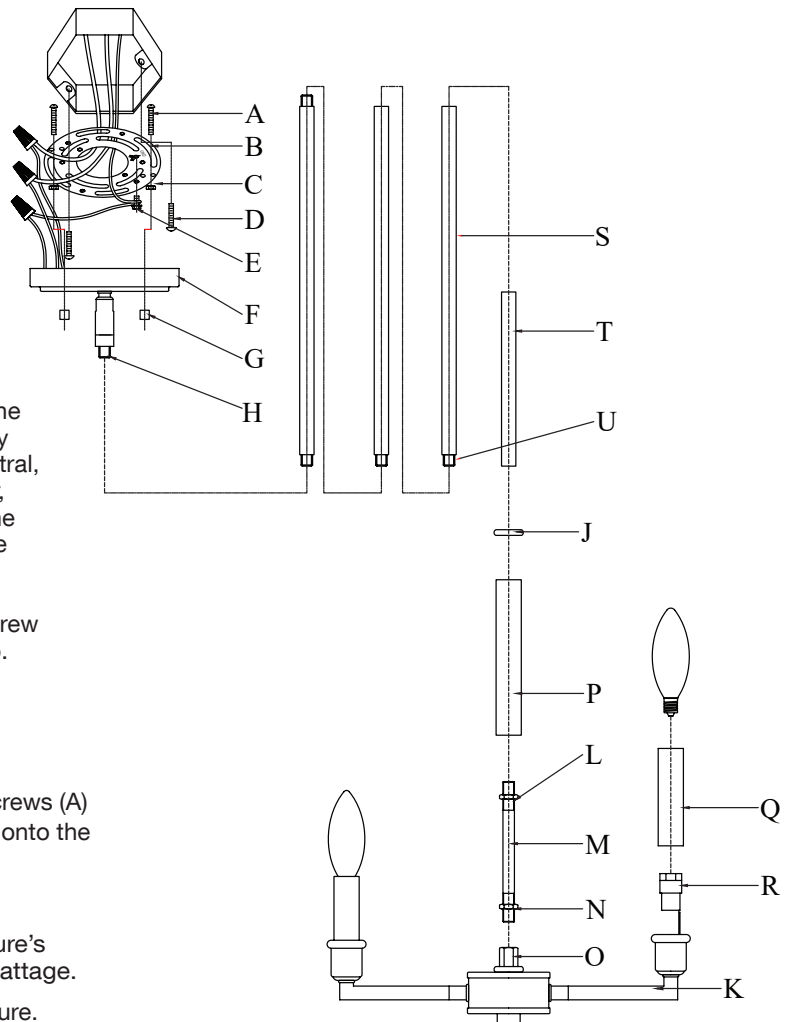
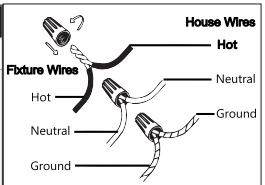
Remove all of the contents from the carton. See the important notes above. Remove the old fixture from the ceiling, including the old mounting strap.

1. From the parts bag remove the mounting strap assembly. Mounting strap (B) contains threaded holes. Two of mounting screws (A) should be attached to mounting strap (B). You may need to tighten nuts (C) that hold these screws in place. Place mounting strap (B) over the junction box so that mounting screws (A) are vertical, and in alignment with the hole locations on the fixture's canopy (F).
2. Secure mounting strap (B) to the junction box with mounting screws (D) and a screwdriver. Tighten the screws securely.

ASSEMBLING THE FIXTURE

3. Insert nipple (M) into post (O) before covering nipple (M) with decorative cover (P) and spacer (J).
4. By measuring, determine the correct number of 12" rods (S) and 6" rods (T) are needed for proper hanging height. There are 3 optional 12 inch rods (S) and 1 of a 6 inch rod (T) included. To lengthen the fixture, add additional rods. If additional rods are needed, contact the place of purchase to order. To shorten the fixture, trim the wires to the desired length adding at least 8 to 10 inches of wire to the desired length. Thread the wires through the rods and pull the wires until taut before threading the rods together. Thread bottom rod (S or T) onto nipple (M) at the top of the fixture's body. Twist the top rod (S or T) onto the threads of swivel post (H) of canopy (F). Pull the fixture's wires through the top of canopy (F). Feed the fixture's wires up through the rods, pulling the wires until taut.

How to Identify the Fixture's Wires		
Hot	Neutral	Ground
Smooth	Ribbed	Bare Metal, Green, or Green Inner Thread
Black	White	
Black Inner Thread	White Inner Thread	



CONNECTING THE WIRES

5. Have an assistant support the weight of the fixture. Refer to the wiring diagram and attach the fixture's wires to the power supply wires from the junction box. Connect Hot to Hot, Neutral to Neutral, and Ground to Ground. Twist the ends of the wire pairs together, and then twist on a wire connector. Make sure all twists are in the same direction. If there is no house ground wire coming from the junction box, locate ground screw (E) on the mounting bracket/mounting strap and wrap the fixture's ground wire around the ground screw. Use a screwdriver to tighten the top of ground screw (E) onto the wires and into the mounting bracket/mounting strap. Tuck the wires into the junction box.

FINISHING THE INSTALLATION

6. Push canopy (F) up to mounting strap (B) so that mounting screws (A) protrude through the holes in canopy (F). Tightly thread nuts (H) onto the exposed threads of mounting screws (A).
 7. Slide candle sleeves (Q) over sockets (R).
 8. Install light bulbs (not provided) in accordance with the fixture's specifications. Do not exceed the maximum recommended wattage.
- Your installation is complete. Turn on the power and test the fixture.

CLEANING TIPS

Treat the fixture gently! Regular cleaning will reduce the need for deep cleaning. For regular cleaning, turn off the light and wipe down the fixture with a clean lint-free cotton or microfiber cloth. Never spray cleaner directly onto the fixture.